



## Model PSC616 Pressure Transducer for Low Cost High Volume Automotive Applications

PSC616 Low Pressure Transducer was specially developed for Diesel Automotive engine Urea pump pressure sensing applications. The product is screw mounted on to the pump with an O-ring seal. The Oil filled sensor technology with media isolation uses an ultra thin 316 SS diaphragm.

Features digital compensation and temperature correction for high accuracy and stability. All Wetted parts are SS316 and the Viton 70 or 90 o-ring used for sealing.



### Features:

- FKM O-Ring for better sealing in wide temperature range
- SS316 SS wetted surfaces
- Digitally Calibrated
- Analog Amplified output
- Recommended load resistance: >10,000 ohms
- Absolute pressure or sealed gauge pressure

### Applications:

- Air, water pump pressure
- Urea tank and Urea pump pressure
- Air Brakes

PSC616 Ordering Model NO.: PSC616-X-Y	
X	Y
<b>Pressure Range</b>	<b>Pressure Type</b>
5B = 0 to 5 bar	A = Absolute
10B = 0 to 10 bar	S = Sealed gauge pressure

Electrical data	
Supply Voltage	4.75 ~ 5.25 VDC
Output	0.5 ~ 4.5 VDC (Ratiometric)
Supply Current	< 3 mA
Zero Output	0.5 VDC
Full Scale Output	4.5 VDC

Performance (specified @ 25 °C)	
Accuracy (Best fit straight line)	± 0.5 % BFSL
Error	± 2.0 % FS TEB
Zero/Span Offset Tolerance	± 2.0 %
Stability (typical)	< ± 0.5 % full scale per year
Compensated Temperature Range	-20°C ~ 85°C
Operating Temperature Range	-40°C ~ 125°C
Storage Temperature Range	-40°C ~ 125°C
Burst Pressure	3 X Full Scale
Proof Pressure	1.5 X Full Scale
Pressure Cycles	4 million full scale cycles
Mechanical parts	Port: 316 SS
	Sealing O-ring: FKM
	Housing: G/F NYLON & SS

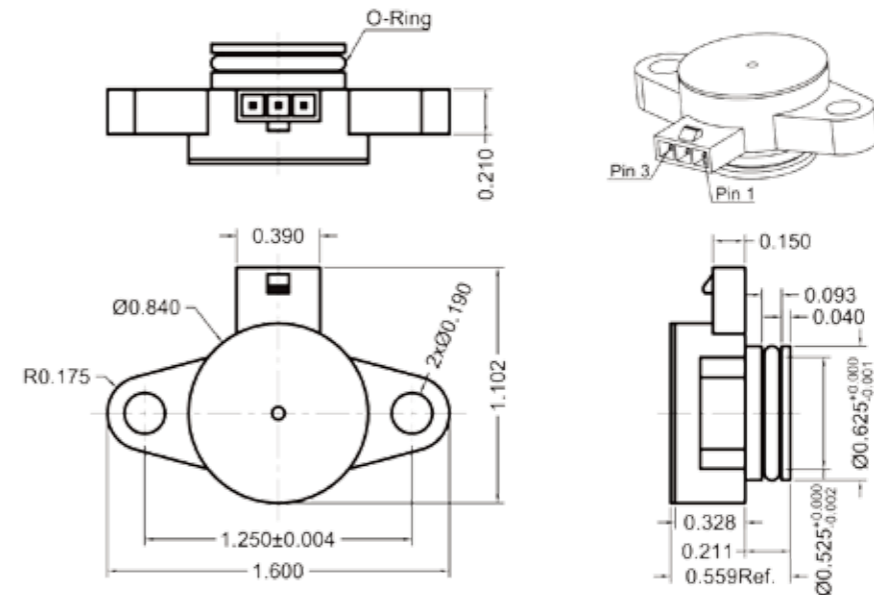


## Model PSC616 Pressure Transducer for Low Cost High Volume Automotive Applications

Agency Approvals	
IEC61000-4-2	Electrostatic Discharge Immunity: 8kV Contact; 15kV Air; 3 Discharges; Class B. Unit survived
IEC61000-4-3	EM Field Immunity: 30V/m, 1MHz~80MHz; 30V/m, 80MHz~1GHz, 1.0% steps, 2s Dwell. Max recorded output error <±2.0% Span
IEC61000-4-4	Electrical Fast Transient Immunity: 1kV (Level 2), 120s, 5kHz Repetition Rate. Class B. Max recorded output error <±1.5%
IEC61000-4-5	Surge: 1kV (Level 2), L-L 500V, L-E 1kV. Class B. Max recorded output error <±1.5% Span
IEC61000-4-6	Conducted Immunity: 5V/140dB, 150kHz~80MHz (Level 3). Class B. Max recorded output error <±2.0% Span
IEC61000-4-9	Pulsed Magnetic Field Immunity: 100A/m (Level 3). Class B. Max recorded output error <±2.0% Span
IEC55022 Emission: Class A, 40dB 30-220MHz, 47dB 230MHz-1GHz	



### Structure reference (Unit: Inch[mm])



ELECTRICAL CONNECTIONS				
Pin No.	Function	Terminal No.	Colour	Connector & Terminals
1	Supply +	1	Red	Molex connector #: 43645-0300 (x1) Molex terminals #: 43030-0003 (x3)
2	Supply -	2	Black	
3	Output	3	Blue	

